



www.dio.lighting



Specifications

AC220~240V/50/60Hz / PF≥0.9 / Ta 45 C / Tc 80 C / IP20					
Model No.	Output Voltage	Load Range	Input Current	Rated Current	Max Output Power
D12V50D	12V	0-50W	0.5A	4.16	50W
D24V50D	24V	0-50W	0.5A	2.08	50W



Applications

- An electronic protection circuit switches off the power supply in case of short circuit or overload in the secondary circuit, overheat as well as open circuit. After the removing of the faults, the LED power supply is resetting automatically for operation again.
- The unit conforms to the directive 2014/30/EU for the electromagnetic compatibility and the low voltage directive 2014/35/EU.



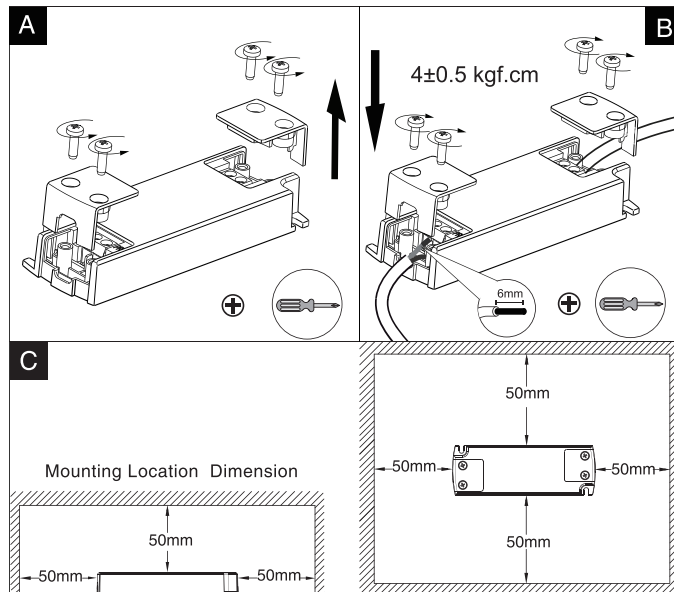
Important information for the installation

- Be sure to read and understand all instructions before installation. For best results have installed by a qualified technician .
- Be sure to connect the light to the power supply first before connecting power supply to outlet. Failure to connect to an outlet in this order may cause damage and will void manufacturer's warranty.
- There are no user serviceable parts inside power supply removal of cords or covers of covers may damage product and will void warranty.
- Do not overload the power supply.
- The maximum length of output cable to the LED lamps should not exceed 2m in order to meet the EMC standard.
- If the LED power supply is used for purposes other than originally intended or it is connected in the wrong way, no liability can be taken over for possible damages.



Mounting instruction

- Connect the LED lamps to led power supply with correct polarity
- Primary cable:
H03VVH2-F 2×0.75mm²
- Secondary cable:
H03VVH2-F 2×0.75mm²



Rev.V0