






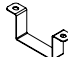





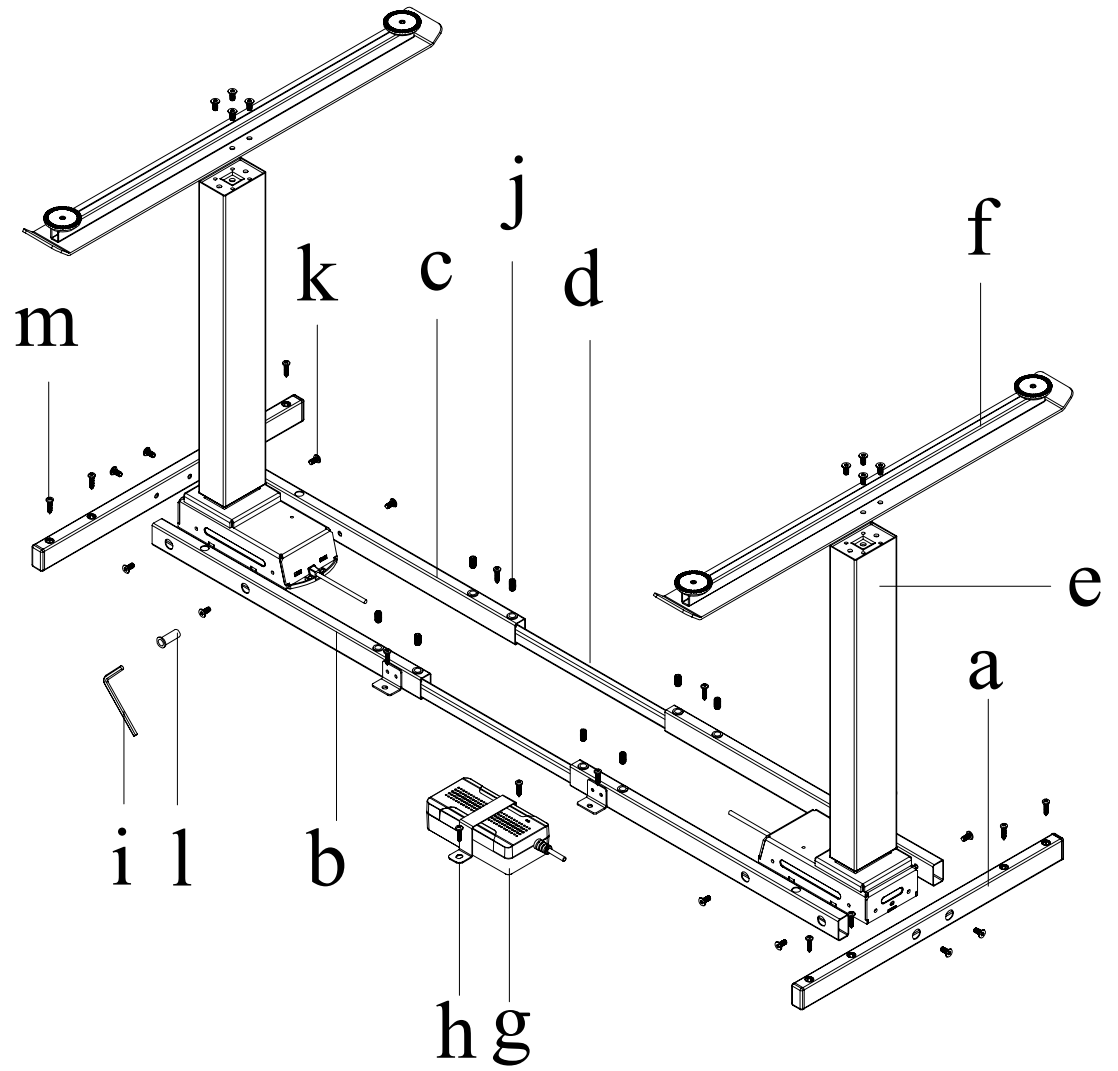
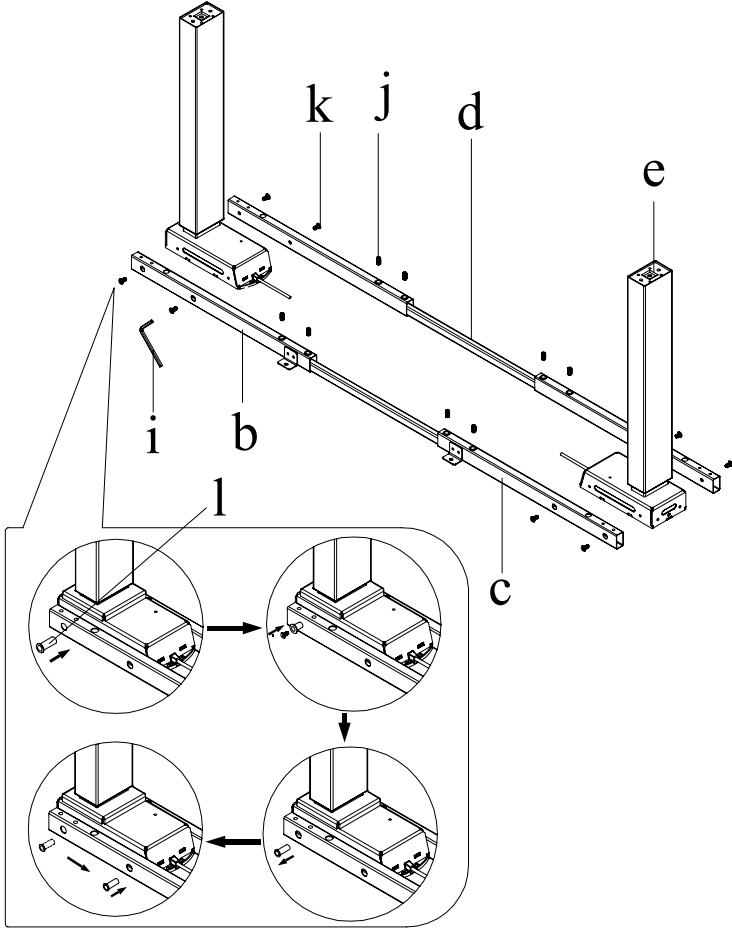


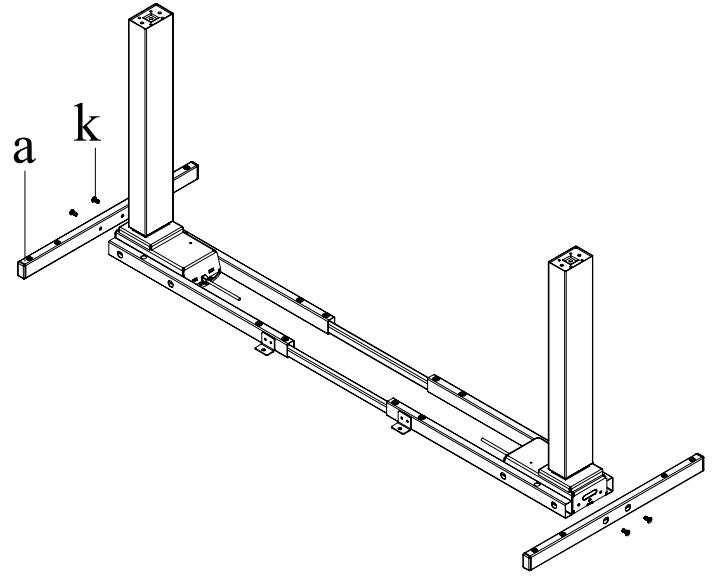
Code	Picture	Qty	Spec	Remark
a		2		
b		2		
c		2		
d		2		
e		2		
f		2		
g		1		
h		1		
i		1	sw4	
j		8	M8×16	
k		20	M6×14	
l		1		
m		14	M5×20	



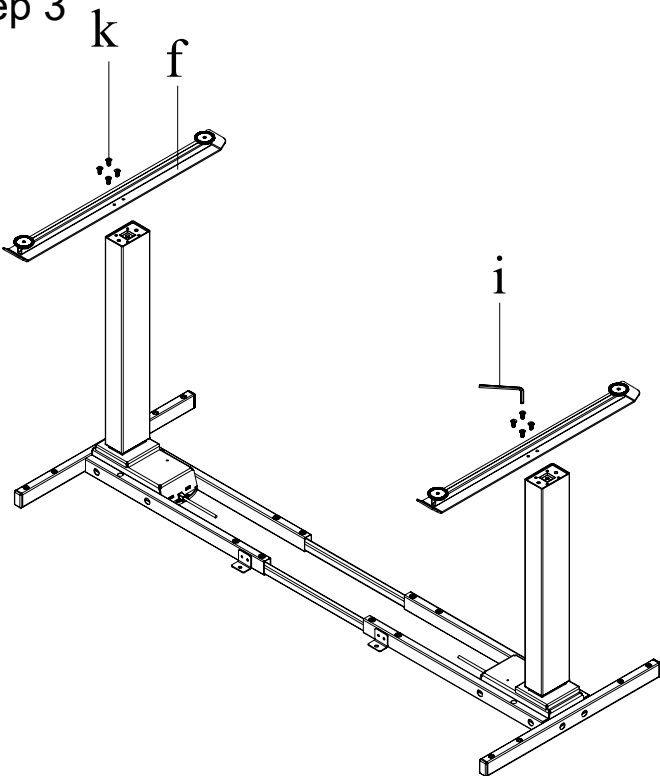
Step 1



Step 2



Step 3



Step 4

